

IMAGE



**XLT**  
SmartSolutions™

MODEL

**4455**

H-version

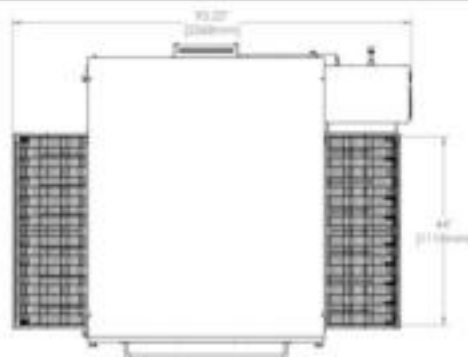
SIZE

**44" WIDE CONVEYOR  
55" LONG BAKE CHAMBER**

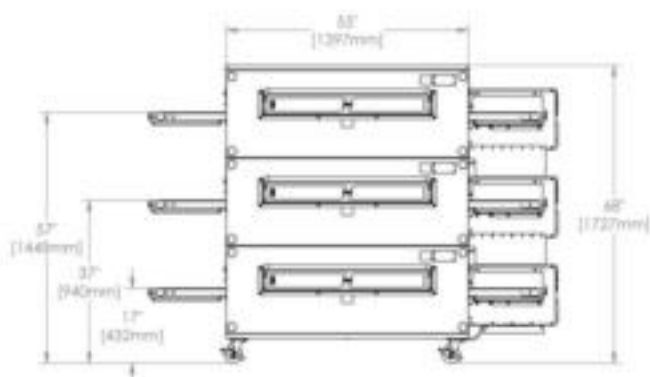
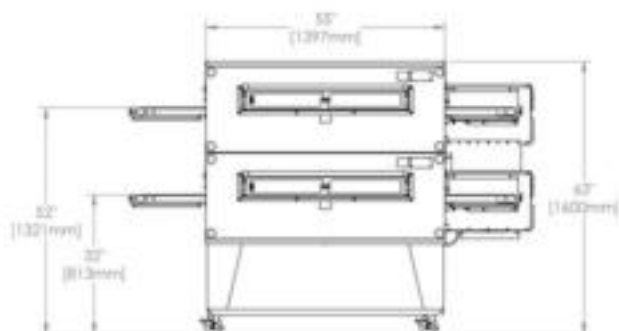
TYPE

**GAS & ELECTRIC**

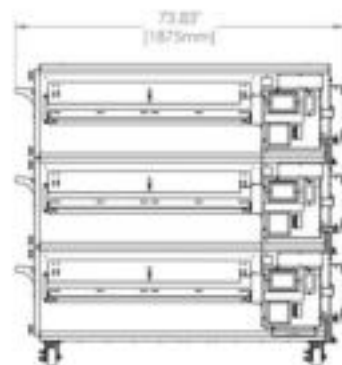
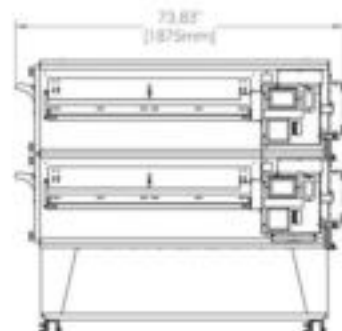
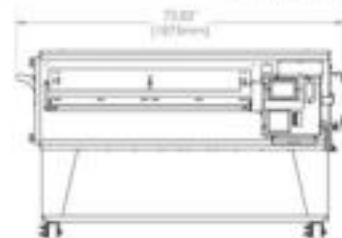
TOP VIEW



FRONT VIEWS



SIDE VIEWS



4455H H-ver 0002V1

\*A MINIMUM OF A 1/2" GAS SUPPLY LINE IS REQUIRED. THE GAS LINE MUST BE PLACED TO THE SIDE OF THE OVEN AND CANNOT BE BEHIND THE CONTROL BOX.

**4455**

MODEL

H-version

**XLT**  
SmartSolutions™**DATA SHEET**  
**4455H GAS OVEN***Heating Value*

Standard	World		
	Natural	Propane	Butane
170,000 BTU/Hr	49.80 Kw/Hr	49.80 Kw/Hr	52.00 Kw/Hr
	179.36 Mj/Hr	179.36 Mj/Hr	

*Electrical Requirement*

Standard	World
120 VAC, 4.8 Amps, 50/60 Hz	220/230/240 VAC Option, 3 Amps, 50/60 Hz

*Inlet Pressure Range*

	W/C	mbar	kPa	kPa (Korea)
Natural Gas	6-14	15-35	1.50 - 3.50	1.50 - 2.50
Propane Gas	11 - 14	27.5 - 35	2.75 - 3.50	2.30 - 3.30

*Manifold Pressure Range*

	W/C	mbar	kPa
Natural Gas	3.5	8.75	0.875
Propane Gas	10	25	2.50

*Oven Weight*

Oven Only	<i>Single (1 crate)</i>		<i>Double (2 crates)</i>		<i>Triple (3 crates)</i>	
	lbs	kg	lbs	kg	lbs	kg
	1131	513	2047	929	3146	1427

**4455H ELECTRIC OVEN***Electrical Requirement*

	Standard	World
VAC	208/240 VAC	380/415 VAC
Amps	90/80 Amps	55/48 Amps
Hz	60 Hz	50 Hz
Wire Service	4 Wire Service - L1, L2, L3 +1 Ground (per oven)	5 Wire Service - L1, L2, L3 N+2 Grounds (per oven)
Phase	3 Phase	3 Phase
Kw	32 Kw	32/34 Kw

*Oven Weight*

Oven Only	<i>Single (1 crate)</i>		<i>Double (2 crates)</i>		<i>Triple (3 crates)</i>	
	lbs	kg	lbs	kg	lbs	kg
	1288	584	2362	1071	3393	1539

**OVEN WARRANTY**

<i>USA &amp; Canada (Parts &amp; Labor)</i>	<i>International (Parts &amp; Labor)</i>
7 Years   Standard	5 Years   Standard



(316) 943-2751  
SALES@XLTOVENS.COM  
SERVICE@XLTOVENS.COM

WWW.XLTOVENS.COM  
24/7/365 LIVE TECHNICAL SUPPORT

