

# HOT WATER DISPENSER

## HWD 2100 Series

### HWD 2110

Single Temperature



Whether you need a front of house self serve solution to prepare coffee, tea, oatmeal, and instant beverages, or back of house solutions that rely on hot water, the **HWD-2110** is the answer. The newly-designed hot water dispenser meets FETCO's exacting standards of innovation, reliability, durability and quality. It delivers form, function and flexibility like no other on the market today.



**High-resolution display** provides easy navigation and instant feedback. **Temperature settings** can be adjusted at the touch of a button using ergonomic capacitive touch function selector technology.



**Soft silicone tap** is designed to protect glass and ceramic serveware against damage.



**Convenient float indicator** is built into drip tray to help simplify maintenance and cleaning.



**SD card slot** allows operator to easily update software and maintain optimal performance.

## Water Specification

Water Inlet ¼ inch male flare fitting	Minimum Flow Rate 1½ gpm [5.7 lpm]	Water Pressure 40-75 psig [276-517 kPa]
--	---------------------------------------	--

## Electrical Configuration

Configuration Code	Heater Configuration	Voltage	Phase	Wires	KW	Electrical Connection	Max Amp Draw	Gallon[Liter]/Hour
<b>DOMESTIC &amp; CANADA</b> H211011	1 x 5 kW	200-240	1	2+G	3.6-5.1	NEMA 6-30P	17.4-21.0	9.5-13.5 [36.0-51.0] <sup>(2)</sup>
<b>EXPORT</b> H211021	1 x 5 kW	200-240	1	2+G	3.6-5.1	Cord only <sup>(1)</sup>	17.4-21.0	9.5-13.5 [36.0-51.0] <sup>(2)</sup>

## Important

Temperature ranges selectable from 158°-203°F / 70°-95°C based on 207°F / 97°C hot water tank temperature.

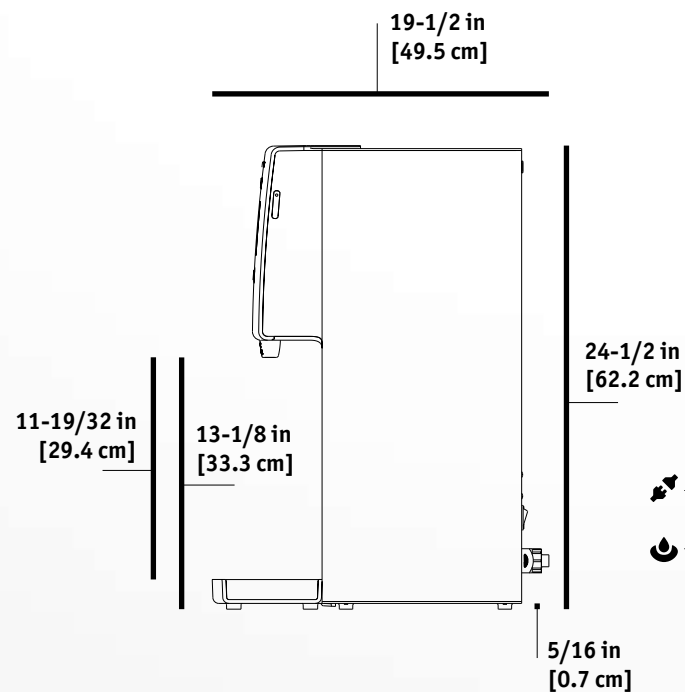
(1) For EXPORT, cord without plug will be supplied.

(2) Five gallon per hour flow rate based on 65°-70°F / 18°-21°C water main supply temperature at lowest possible power supply current. Temperature displayed in F or C.

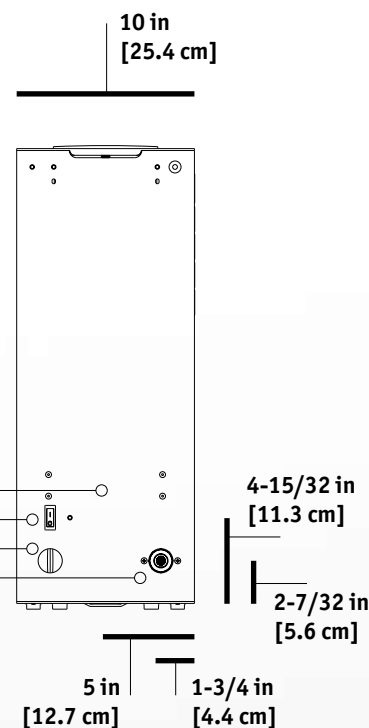
## Measurements

Height 24½ in [62 cm]	Width 10 in [25.4 cm]	Depth 19½ in [49.5 cm]	Empty Weight 30 lbs [13.6 kg]	Filled Weight 68.3 lbs [31.0 kg]	Shipping Weight 44 lbs [20.0 kg]
--------------------------	--------------------------	---------------------------	----------------------------------	-------------------------------------	-------------------------------------

### SIDE VIEW



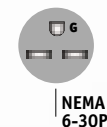
### BACK VIEW



### SYMBOLS

- Electrical Connector
- On / Off Switch
- Tank Drain
- Water Inlet

### NEMA PLUGS CONFIGURATIONS



FETCO® is an active member of

## Information

fetco.com

847.719.3000  
180.338.2699 USA  
 847.719.3001

Food Equipment Technologies Co.  
600 Rose Road  
Lake Zurich, IL 60047  
USA