



UNDERCOUNTER GLASS AND DISHWASHER MODEL: F500

Featuring easy for operation, reliable designs and value for money, **ecomax** machines are built to thrive in Asian conditions. Asia's eating patterns, high-density of meals to offer, and challenging ware washing conditions demand washing solutions that take these factors into account. Which is why our machines are designed to be reliable and effective enough to handle Asia's toughest washing requirements.



GLASS AND DISHWASHER ECOMAX F500

The compact glass and dishwasher is suitable for coffee shops, bars, restaurants.

HANDLING

—Easy and ergonomic, brings higher efficiency

- The easy-to-operate control panel design reduces needs of operators training.
- LED wash and rinse temperature display and eye-catching indicator lights make it easy to monitor.
- The ergonomic sloped control panel reduce the stooping requirements during operation.
- A comic card is given with the machine and can be stuck on any place, which helps to self study.

WASH RESULT

—High performance ensures incomparable hygiene

- Patented anti-clog Nozzle Fan wash nozzles provide a substantially broader and more precise spraying pattern.
- Built-in rinse pump assures sanitizing rinse independent of actual water pressure.
- The wash arm and rinse arm rotate separately, which brings highly efficient water distribution.
- Thermostop feature guarantees rinse temperature to achieve hygiene result.

RELIABILITY

—Multi-protection design expands service life

- The washing cycle will stop automatically when the door was opened by mistake.
- Stainless steel strainer in the washing tank prevent residues entering washing system to enhance the performance.
- The control system was protected by waterproof construction to avoid key components damaged by humidity.
- Tank heater with safety protection avoids dry heating risk and reduces parts damage.

INSTALLATION AND SERVICE

—Easy and economic, brings time and cost saving

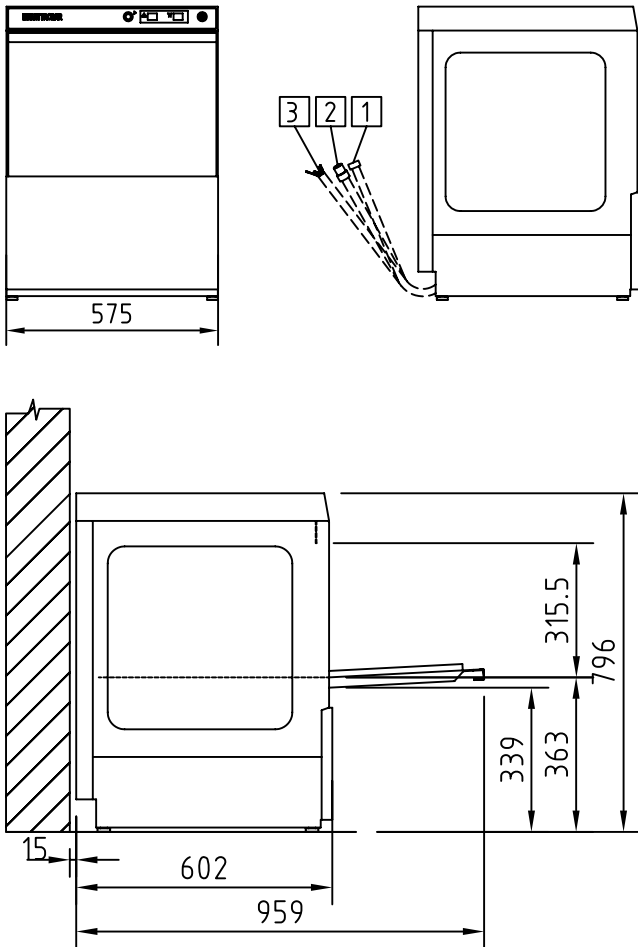
- Ready to install – equipped: water supply/drain hoses, electrical cable, rinse pump.
- Less requirements for inlet water pressure and temperature.
- The power supply connection can be changed easily from 3 phase to single phase electric on site when necessary.



Need to purchase from third party: sinks/shower/racks/detergent/rinse aid/dispensers

DRAWINGS

Model **F500** Glass and Dishwasher



water filling drain electrical connection

TECHNICAL DATA

SPECIFICATION	UNIT	F500	
Wash capacity ^[1]	racks/h	40	40
Cycle times ^[2]	sec.	90	90
Power supply	V/Hz/Ph	380/50/3N	220/50/1
Total loading	kW/A	8.1/14.5	3.1/14.5
Booster heating	kW	7.5	2.5
Tank heating	kW	2	
Wash pump	kW	0.38	
Wash temperature	°C	50 ~ 60	
Rinse temperature	°C	82 ~ 90	
Water consumption	L/rack	2.3	
Wash tank volume	L	18	
Water inlet pressure	bar	0.5 ~ 6	
Rack size	mm	500x500	
Loading height	mm	315.5	
Dimensions (WxDxH)	mm	575x602x796	

- ^[1] Theoretical performance with >=20 water supply. The machine is equipped with an automatic cycle-time control which ensures hygienic rinse temperatures even on a cold-water supply.
- ^[2] The cycle time can be adjusted on site by an authorised technician when requested.

A registered trademark of HOBART GmbH
Member of the *ITW* Food Equipment Group

Hobart International (S) Pte Ltd

Singapore

Tel: +65-6846 7117

ITW FEG (HK) Ltd
HongKong
Tel: +852-2341 9315

Hobart (Japan) K.K.
Tokyo, Japan
Tel: +81-3-5767 8670

Hobart Korea LLC
Seoul, Korea
Tel: +82-2-3443 6901

ITW India Pvt. Ltd.
Gurgaon, India
Tel: +91-9818004147

Hobart (Thailand)
Bangkok, Thailand
Tel: +66-2-675 6279